



Archived resources

For further resources and
documentation please visit us:
www.cinos.net

10.1" Modero X[®] Series G5 Tabletop Touch Panel

MXT-1001 (FG5968-47)



Overview

The most elegant interface designed specifically for dedicated room control has been significantly enhanced to include a new G5 Graphic Engine to provide even faster and smoother animations and transitions, and we quadrupled the processing power with a new Quad Core Processor. This new generation of touch panels is built for usability offering edge-to-edge capacitive touch glass with multi-touch capabilities. It features advanced technology empowering users to operate AV equipment seamlessly, while providing the ultimate in audio and video quality. The distinctive appearance will complement even the most sophisticated meeting facilities and homes. With a lightning fast processor, brilliant graphics and enhanced capabilities, the Modero X Series is the control surface that simply delivers more.

Common Applications

The MXT-1001 is ideal for boardrooms, conference rooms or auditoriums where a control surface is needed to provide access to key functions. In residences, it is perfect for kitchens, home theaters or home offices where it can be used to manage systems throughout the home.

Features

- **G5 Graphics Engine and Quad Core Processing** – The most powerful processing in the industry delivers smooth gesturing, animations and transitions all at higher speeds for an experience any user will enjoy
- **Simplified Enterprise Touch Panel Updates** – Deploy and update touch panel files from a network URL for simplified company-wide updates

- **Latest Communication Technologies** – Supports Near Field Communication™ (NFC) - short-range wireless technologies that deliver peer-to-peer communication by 'sharing, pairing and transaction' between RF devices like exchanging data/identities
- **Enhanced Usability** – External phone connections via Bluetooth or USB and HD video streaming
- **Graphic Leaps & Bounds** – The Modero X Series features intuitive UI functionality including: gesturing, swiping, dynamic reordering and enhanced animation capabilities
- **Perfect From Any Angle** – Includes In-Plane Switching (IPS), the latest technology in popular tablet/mobile devices that delivers the widest viewing angles and the most accurate color reproduction on the market
- **Supports Near Field Communication (NFC)** - short-range wireless technologies that deliver peer-to-peer communication by 'sharing, pairing and transaction' between RF devices like exchanging data/identities

Dealer Benefits

- **Attract More Corporate Customers** - The elegant design and simple beauty of the Modero X Series will create demand from both new and current customers
- **Address Unique Requirements** – With edge-to-edge glass and capacitive touch, the Modero X Series Touch Panels provide dealers with a control surface that is unobtrusive and simple to use
- **Differentiate Yourself** – The Modero X Series offers design and technology features unmatched in the industry

Customer Benefits

- **Simple to Use Interfaces** – The capacitive multi-touch and gesture-based screen makes it easy for anyone to operate sophisticated meeting room or home theater equipment
- **Range of Sizes** – The contemporary design with edge-to-edge glass is available in 4.3", 7", 10.1" as well as 19.4" and 20.3" panoramic sizes for applications in any room
- **Sleek, Low-Profile Design** – The Modero X Series is engineered to sit perfectly on a table without obstructing views

Specifications

TOUCH SCREEN DISPLAY	
Display Type	TFT Active Matrix Color LCD with In-plane Switching Technology (IPS)
Display Size (WH)	9.9" x 6.7" (252 mm x 170 mm), 12.0" (304 mm) diagonal
Viewable Area (WH)	8.5" x 5.3" (217mm x 136mm), 10.1" (257mm) diagonal
Resolution (WH)	1280x800
Aspect Ratio (WH)	16:9
Brightness	400 cd/m2
Contrast Ratio	700:1
Color Depth	16.7M colors
Illumination	LED
Touch Overlay	Projected capacitive, multi-touch support, 3 simultaneous max
Viewing Angle	Vertical ± 89°, Horizontal ± 89°

MEMORY	
SDRAM	2 GB
Flash	16 GB
Maximum Project Size	12 GB flash, available for apps and touch panel files

COMMUNICATIONS	
ETHERNET	10/100 port, RJ-45 connector. Supported IP and IP-Based Protocols: UCP, TCP, ICMP, ICSP, IGMP, DHCP, Telnet, FTP, DNS, RFB (for VNC), HTTP

USB	(2) USB host 2.0, Type A ports (1 with limited physical access requiring right angle connection): Firmware upgrade, touch panel file transfer, JPEG image viewer, HID peripherals, USB audio output for headsets
Near Field Communication (NFC)	Supports standards ISO/IEC 15693, ISO/IEC 14443A, ISO/IEC 14443B; Unique Identifier (UID), typ range = .25", max = .5"
Bluetooth*	<p>Mouse/Keyboard: HID Profile v1.1, requires MXA-BT Bluetooth Adapter (FG5968-19)</p> <p>Handset: Hands Free Profile v1.5, Headset Profile v1.2, requires MXA-BT Bluetooth Adapter (FG5968-19) and MXA-HST Bluetooth Handset (FG5968-17)</p>

VIDEO	
Supported Video Codecs	<p>MPEG2-TS: MPEG-2 Main Profile @High Level up to 720p at 25 fps (decode only)</p> <p>MPEG2-TS: H.264 High Profile @Layer 4, AAC-LC up to 720p at 25 fps (encode/decode)</p> <p>MJPEG up to 720p at 25 fps (decode only)</p>
Supported Video Transport Streams	MPEG-TS for MPEG2 and H.264; HTTP for MJPEG
Max Number of Active Video Streams	One decode plus one encode

AUDIO	
Microphone	-42dB +/- 3dB sensitivity FET microphone
Speakers	4 ohm, 2 Watt, 300Hz cutoff frequency
Supported Audio Codecs	<p>MP2 Layer I and II, MP3 (8 kHz, 11.025 kHz, 12 kHz, 16 kHz, 22.05 kHz, 24 kHz, 32 kHz, 44.1 kHz, 48 kHz)</p> <p>AAC-LC (8 kHz, 96 kHz)</p> <p>G.711 with μLaw (VoIP* encode/decode at 8kHz)</p>
Audio Output	USB Audio out USB port (head/hand set support)*
File Formats	WAV, MP3 (as part of touch panel file only - no USB storage)
Intercom*	Full Duplex VoIP, SIP v2.0

FRONT PANEL COMPONENTS	
Light Sensor	Photosensitive light detector for automatic adjustment of the panel brightness
Proximity Detector	Max range = ~3', typ range = ~1', FOV = ~10 degrees
Camera	HD 720p camera for video conferencing/video chat support
LED Indicators	Camera active indicator (models with camera only)
Sleep Button	Sleep button to activate sleep mode and powering off. Also provides access to setup pages (can be disabled)

GRAPHICS ENGINE	
AMX G5	G5 enhanced feature set supporting multi-touch and gestures, scrolling, transitions, applications - See TPD5 Operations Guide for more information

EMBEDDED APPLICATIONS	
Viewer Applications*	PDF, JPEG, BMP, PNG, TIFF, GIF
Remote Management	VNC Server
Video Conferencing	Skype
Audio Conferencing	Audio (full duplex intercom*)

CONNECTIONS	
Ethernet	10/100 port, RJ-45 connector through cable extension
USB	(2) USB host 2.0, Type A ports (1) Micro-USB device port (currently not in use)
Power	PoE (Power over Ethernet), 802.3af, class 3

ENVIRONMENTAL	
Temperature (Operating)	32° F to 104° F (0° C to 40° C)
Temperature (Storage)	4° F to 140° F (-20° C to 60° C)
Humidity (Operating)	20% to 85% RH
Humidity (Storage)	5% to 85% RH
Power ("Heat") Dissipation	On: 44.2 BTU/hr Standby: 19.8 BTU/hr

GENERAL	
Dimensions (HWD)	6 14/16" x 9 14/16" x 4 14/16" (174 mm x 252 mm x 124 mm)
Weight	3.1 lbs (1.41 Kg)
Power Consumption	Full-On: 12.95 W maximum Standby: 5.8 W Shutdown: 1 W
Start-Up Inrush Current	Not Applicable due to PoE standard
External Power Supply Required	Optimal performance requires use of one of the following AMX PoE power supplies (not included): PS-POE-AF-TC, PoE Injector, 802.3AF Compliant (FG423-83) NXA-ENET8-2POE, Gigabit PoE Ethernet Switch (FG2178-63) AMX does not support the use of non-AMX power supplies
Certifications	FCC Part 15 Class B C-Tick CISPR 22 Class B CE EN 55022 Class B and EN 55024 CB Scheme IEC 60950-1 IC IEC/EN-60950 UL 60950-1 RoHS/WEEE compliant
Included Accessories	<ul style="list-style-type: none"> •MXA-USB-C, USB Port Cover Kit, Modero X Series Touch Panel (FG5968-18) •HPG-10-10K, 3/4" Mini-Grommet (FG570-01) •MXA-CLK, Modero X Series Cleaning Kit (FG5968-16)
Optional Accessories	<ul style="list-style-type: none"> •MXA-STMK-10, Secure Table Mount Kit, 10.1" Modero X Tabletop (FG5968-66) •MXA-MP, Modero X Series Multi Preview (FG5968-20) •MXA-MPL, Modero X Series Multi Preview Live (FG5968-10) •PS-POE-AF-TC, PoE Injector, 802.3AF Compliant

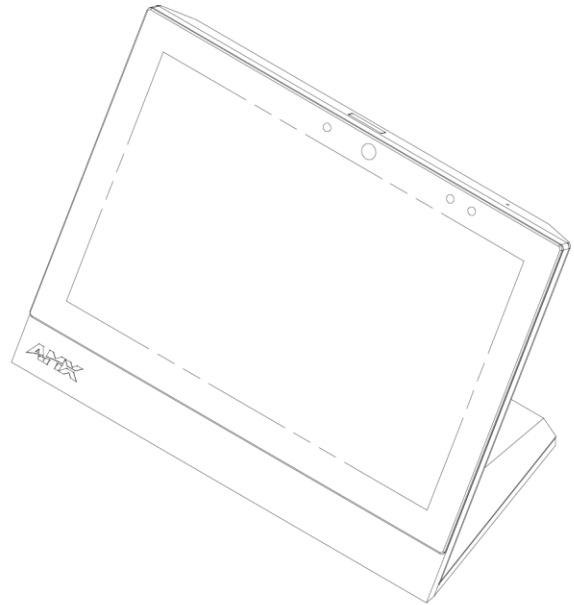
	<p>(FG423-83)</p> <ul style="list-style-type: none">•NXA-ENET8-2POE, Gigabit PoE Ethernet Switch (FG2178-63)•HPG-10-10K, 3/4" Mini-Grommet, 10-Pack (FG570-01-10K)•MXA-BT Bluetooth USB Adapter for Modero X Series (FG5968-19)•MXA-HST, Bluetooth Handset for Modero X Series Touch Panels (FG5968-17)•MXA-CLK, Modero X Series Cleaning Kit (FG5968-16)•MXA-USB-C, USB Port Covers for the Modero X Series Touch Panels (FG5968-18)•MXA-UENET, Video Acceleration Cable for Modero X 10.1" and 7" Touch Panels (FG5968-75)
--	--

*This feature will be available upon release of a future firmware update

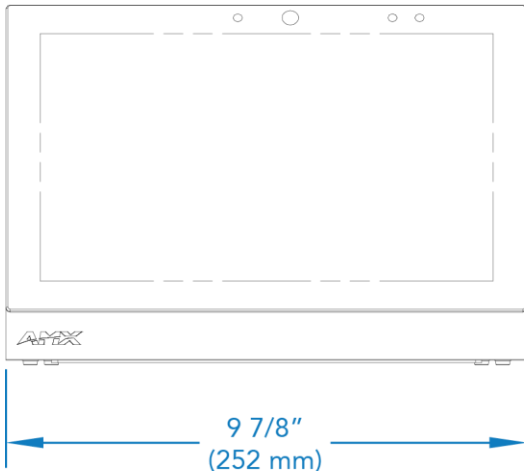
For a more detailed pictorial drawing please visit: <http://www.amx.com/products/MXT-1001.asp>



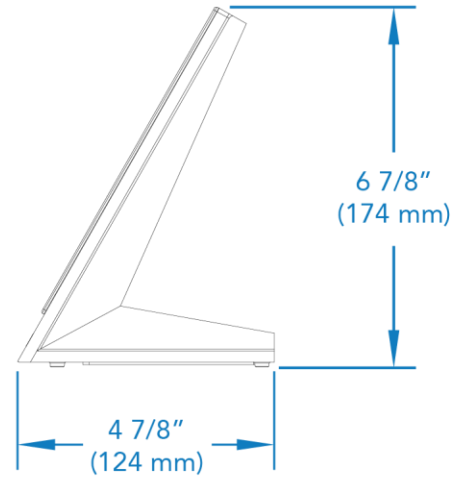
MXT-1001
(Back View)



MXT-1001
(Isometric View)



MXT-1001
(Front View)



MXT-1001
(Right View)

About AMX

AMX hardware and software solutions simplify the implementation, maintenance, and use of technology to create effective environments. With the increasing number of technologies and operating platforms at work and home, AMX solves the complexity of managing this technology with reliable, consistent and scalable systems. Our award-winning products span control and automation, system-wide switching and audio/video signal distribution, digital signage and technology management. They are implemented worldwide in conference rooms, homes, classrooms, network operation / command centers, hotels, entertainment venues, broadcast facilities, and more. ©2014 AMX. All rights reserved.

Specifications subject to change. Revised 19-March-2014.

AMX.com | 800.222.0193 | 469.624.8000 | +1.469.624.7400 | fax 469.624.7153

For further resources and
documentation please visit us:
www.cinos.net